

4" Motor Replacement Parts

Super Stainless Water Well

1/3 - 3/4 hp:



Models:

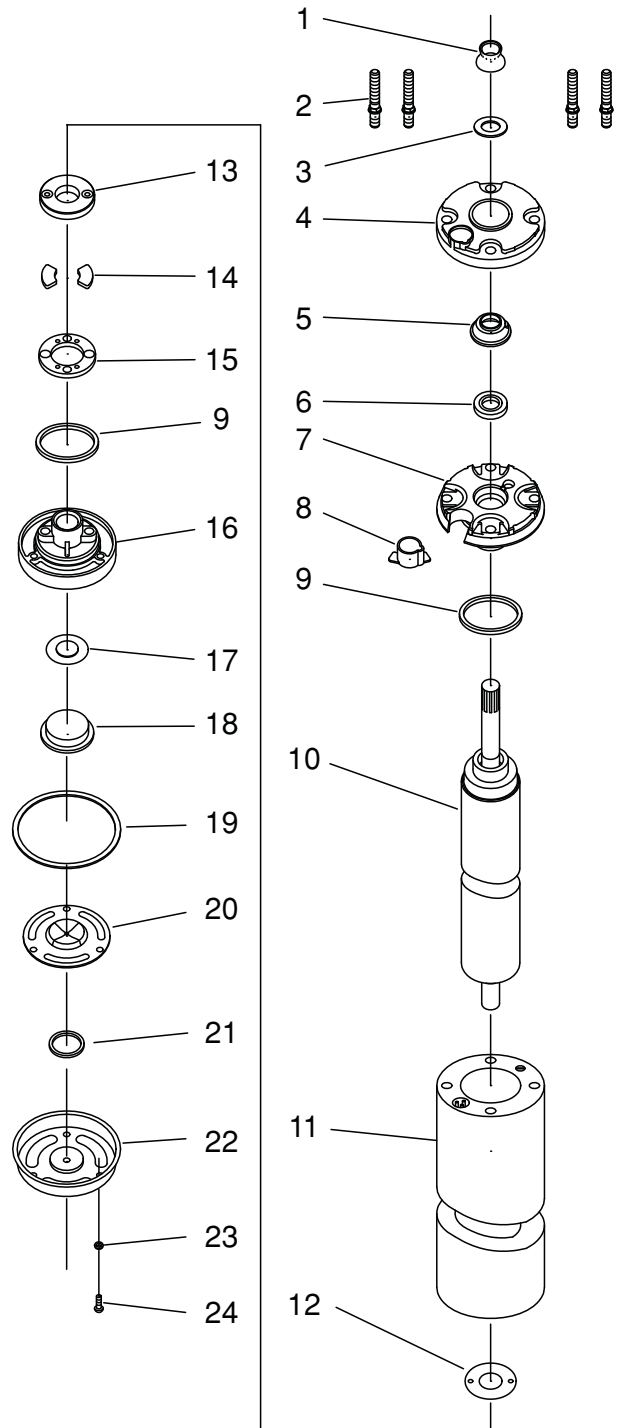
HP	MODELS
1/2	2445_9004
	2145_9004
	2345_9204
	2345_9404
3/4	2445_9004
	2145_9004
	2345_9204
	2345_9404

Part Description:

FIG. NO.	DESCRIPTION	KIT
1	Slinger	Top & Misc.
2	Motor Studs	Top & Misc.
3	Washer	Top & Misc.
4	Stainless Cover	Top
5	Seal Cover	Top
6	Lip Seal	Top
7	Top End Bell	Top
8	Lead Sleeve	Top
9	O-ring	Top, Bottom & Misc.
10	Rotor	N/A
11	Stator	N/A
12	Shim Washer	Bottom & Misc.
13	Rotating Thrust Plate	Bottom
14	Tilting Pad	Bottom
15	Thrust Plate	Bottom
16	Bottom End Bell	Bottom
17	Bottom Cover	Bottom & Misc.
18	Diaphragm	Bottom & Misc.
19	Bottom Cover Gasket	Bottom & Misc.
20	Diaphragm Cover	Bottom & Misc.
21	Cover Gasket	Bottom
22	Bottom Cover	Bottom & Misc.
23	Washer	Bottom
24	Bottom Cover Screws	Bottom & Misc.

Kit Description:

DESCRIPTION	INCLUDES PARTS	PARTS KIT NO.
Top End Bell Kit	1, 2, 3, 4, 5, 6, 7, 8 & 9	305974910
Bottom End Bell Kit	12, 13, 14, 15, 16, 17, 18, 19, 20, 21, 22, 23 & 24	305974907
Misc. Hardware Kit	1, 2, 3, 9, 12, 17, 18, 19, 22 & 24	305974912
BIAC Kit	Not shown above only for 2-wire motors	305974914



4" Motor Replacement Parts

Super Stainless Water Well

1 - 1.5 hp:



Models:

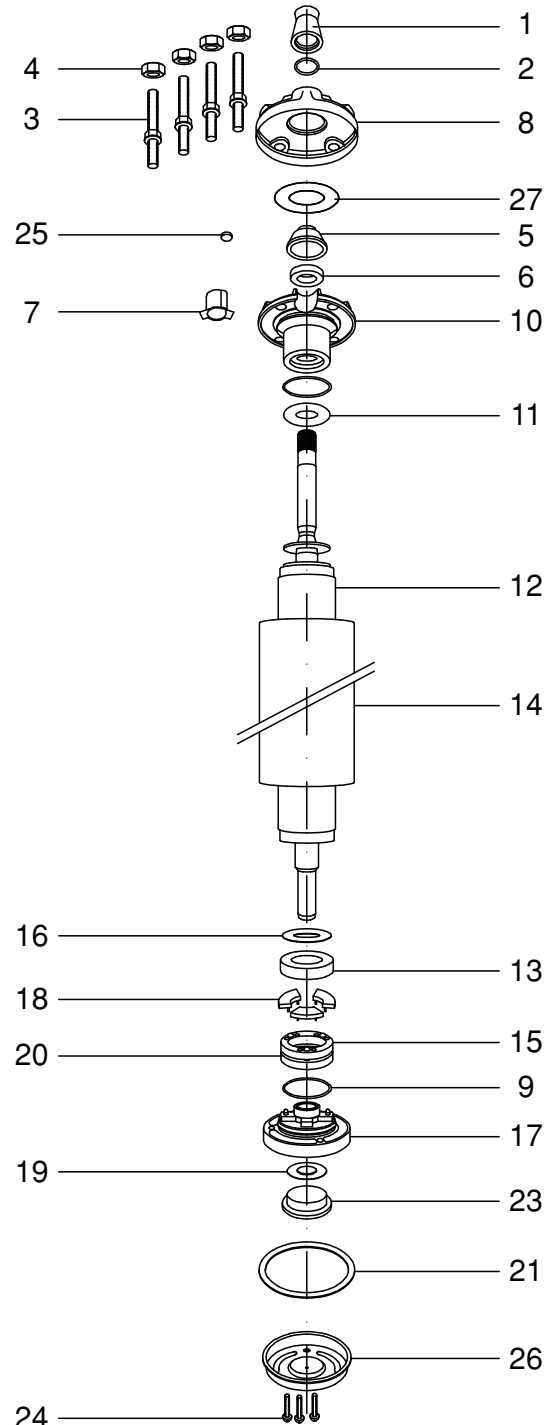
HP	MODELS
1	2445_9003
	2345_9203
	2145_9003
1.5	2345_9203
	2243_9203

Part Description:

FIG. NO.	DESCRIPTION	KIT
1	Slinger	Top & Misc.
2	Slinger Washer	Top & Misc.
3	Motor Studs	Top & Misc.
4	Pump Nuts	N/A
5	Seal Cover	Top & Misc.
6	Lip Seal	Top & Misc.
7	Lead Sleeve	Top
8	Stainless Cover	Top
9	O-ring	Top, Misc. & Bottom
10	Top End Bell	Top
11	Up Thrust Washer	Top
12	Rotor	N/A
13	Thrust Bearing	Bottom
14	Stator	N/A
15	Segment Washer	Bottom
16	Shim	Bottom
17	Bottom End Bell	Bottom
18	Segment Assembly	Bottom
19	Diaphragm Guard	Bottom & Misc.
20	Rocker Washer	Bottom
21	Gasket	Bottom & Misc.
22		
23	Diaphragm	Bottom & Misc.
24	Diaphragm Cover Screws	Bottom & Misc.
25	Check Valve	Top
26	Diaphragm Cover	Bottom & Misc.
27	Cover Washer	N/A

Kit Description:

DESCRIPTION	INCLUDES PARTS	PARTS KIT NO.
Top End Bell Kit	1, 2, 3, 5, 6, 7, 8, 9, 10, 11 & 25	305974910
Bottom End Bell Kit	9, 13, 15, 16, 17, 18, 19, 20, 21, 23 & 24	305974908
Misc. Hardware Kit	1, 2, 3, 5, 6, 9, 19, 21, 23, 24 & 26	305974912
BIAC Kit	Not shown above only for 2-wire motors	305974914



4" Motor Replacement Parts

Super Stainless Water Well

1.5 - 2 hp:



Models:

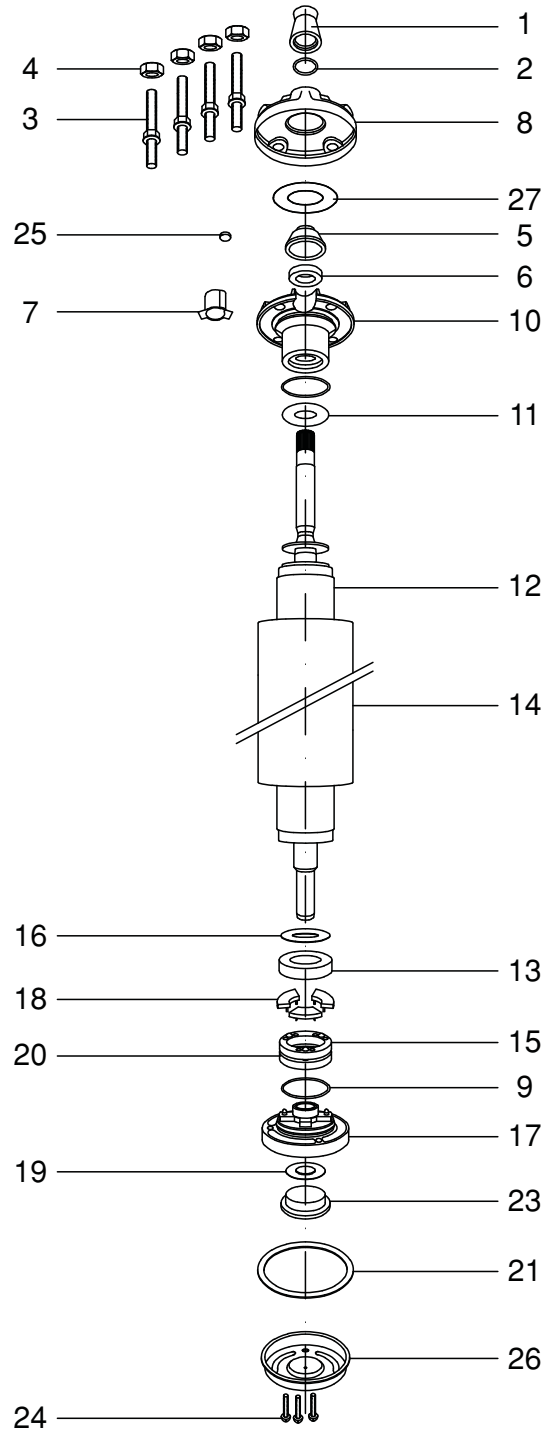
HP	MODELS
1.5	2443_9004
2	2243_9204
	2343_9204

Part Description:

FIG. NO.	DESCRIPTION	KIT
1	Slinger	Top & Misc.
2	Slinger Washer	Top & Misc.
3	Motor Studs	Top & Misc.
4	Pump Nuts	N/A
5	Seal Cover	Top & Misc.
6	Lip Seal	Top & Misc.
7	Lead Sleeve	Top
8	Stainless Cover	Top
9	O-ring	Top, Misc. & Bottom
10	Top End Bell	Top
11	Up Thrust Washer	Top
12	Rotor	N/A
13	Thrust Bearing	Bottom
14	Stator	N/A
15	Segment Washer	Bottom
16	Shim	Bottom
17	Bottom End Bell	Bottom
18	Segment Assembly	Bottom
19	Diaphragm Guard	Bottom & Misc.
20	Rocker Washer	Bottom
21	Gasket	Bottom & Misc.
22		
23	Diaphragm	Bottom & Misc.
24	Diaphragm Cover Screws	Bottom & Misc.
25	Check Valve	Top
26	Diaphragm Cover	Bottom & Misc.
27	Cover Washer	N/A

Kit Description:

DESCRIPTION	INCLUDES PARTS	PARTS KIT NO.
Top End Bell Kit	1, 2, 3, 5, 6, 7, 8, 9, 10, 11 & 25	305974911
Bottom End Bell Kit	9, 13, 15, 16, 17, 18, 19, 20, 21, 23 & 24	305974908
Misc. Hardware Kit	1, 2, 3, 5, 6, 9, 19, 21, 23, 24 & 26	305974912



4" Motor Replacement Parts

900# Thrust Water Well

3 hp:



Models:

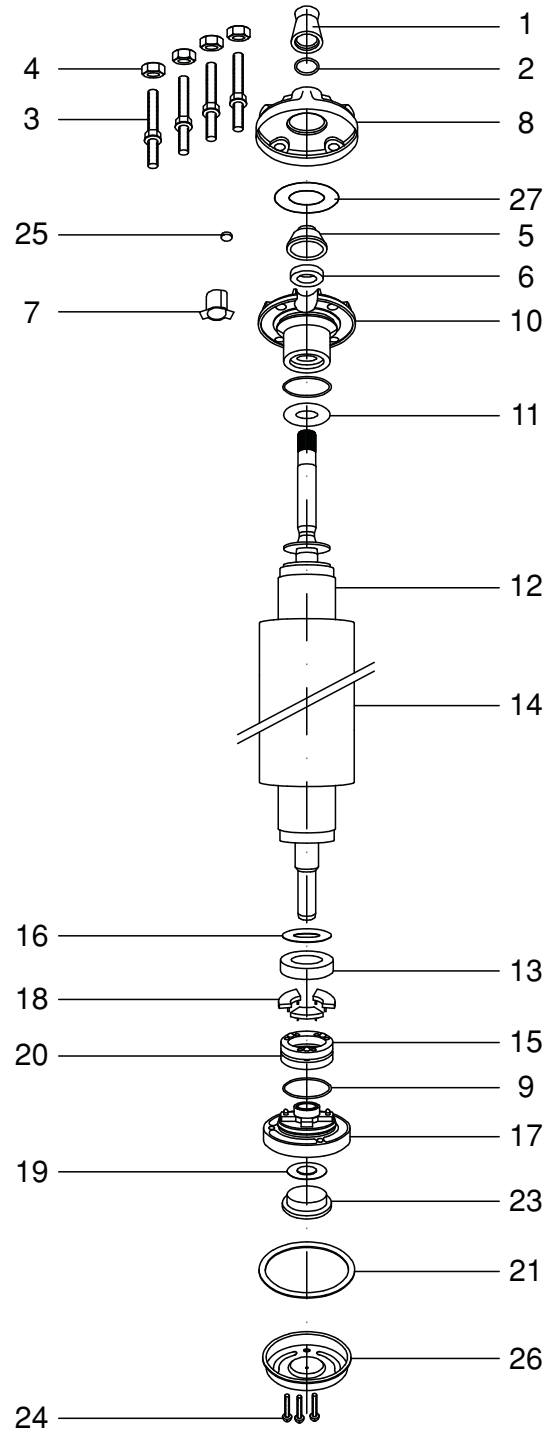
HP	MODELS
3	2243 _2604
	2343 _2604

Part Description:

FIG. NO.	DESCRIPTION	KIT
1	Slinger	Top & Misc.
2	Slinger Washer	Top & Misc.
3	Motor Studs	Top & Misc.
4	Pump Nuts	N/A
5	Seal Cover	Top & Misc.
6	Lip Seal	Top & Misc.
7	Lead Sleeve	Top
8	Stainless Cover	Top
9	O-ring	Top, Misc. & Bottom
10	Top End Bell	Top
11	Up Thrust Washer	Top
12	Rotor	N/A
13	Thrust Bearing	Bottom
14	Stator	N/A
15	Segment Washer	Bottom
16	Shim	Bottom
17	Bottom End Bell	Bottom
18	Segment Assembly	Bottom
19	Diaphragm Guard	Bottom & Misc.
20	Rocker Washer	Bottom
21	Gasket	Bottom & Misc.
22		
23	Diaphragm	Bottom & Misc.
24	Diaphragm Cover Screws	Bottom & Misc.
25	Check Valve	Top
26	Diaphragm Cover	Bottom & Misc.
27	Cover Washer	N/A

Kit Description:

DESCRIPTION	INCLUDES PARTS	PARTS KIT NO.
Top End Bell Kit	1, 2, 3, 5, 6, 7, 8, 9, 10, 11 & 25	305974911
Bottom End Bell Kit	9, 13, 15, 16, 17, 18, 19, 20, 21, 23 & 24	305974909
Misc. Hardware Kit	1, 2, 3, 5, 6, 9, 19, 21, 23, 24 & 26	305974912



4" Motor Replacement Parts

High Thrust Water Well

3 - 10 hp:



Models:

HP	MODELS
3 - 5	224 8600
	224 8602
3 - 10	234 8600
	234 8602

Part Description:

FIG. NO.	DESCRIPTION	KIT
1	Slinger	Top
2	Slinger Washer	Top
3	Seal Cover	Top
4	Lip Seal	Top
5	Top End Bell	Top
6	Check Valve	Top
7	Check Valve Cover	Top
8	Motor Studs (4)	Top
9	O-ring	Top
10	Up Thrust Washer	Top
11	Rotor	N/A
12	Stator	N/A
13	Lower End Bell	Bottom
14	O-ring	Bottom
15	Woodruff Key	Bottom
16	Thrust Bearing	Bottom
17	Thrust Segments (3)	Bottom
18	Leveling Disc	Bottom
19	Thrust Housing	Bottom
20	Thrust Housing Bolts (3)	Bottom
21	Adjusting Screw	Bottom
22	Diaphragm	Bottom
23	Diaphragm Cup	Bottom
24	Diaphragm Spring	Bottom
25	Diaphragm Cover	Bottom
26	Diaphragm Cover Screws	Bottom

Kit Description:

DESCRIPTION	INCLUDES PARTS	PARTS KIT NO.
Top End Bell Kit	1 - 10	305974904
Bottom End Bell Kit	13 - 26	305974906

