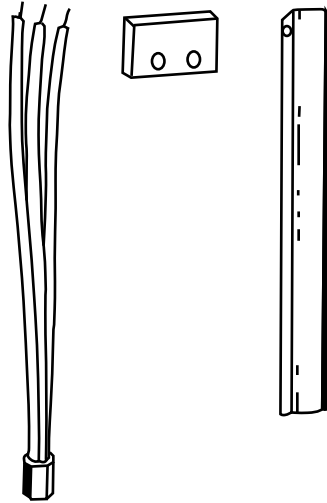


MOTOR LEAD WIRE PROTECTOR INSTRUCTION

Install the wire protector contained in this hardware kit by peeling off the backing and sticking to the under side of the cable shield with approximately 1/4" exposed above the cable shield.

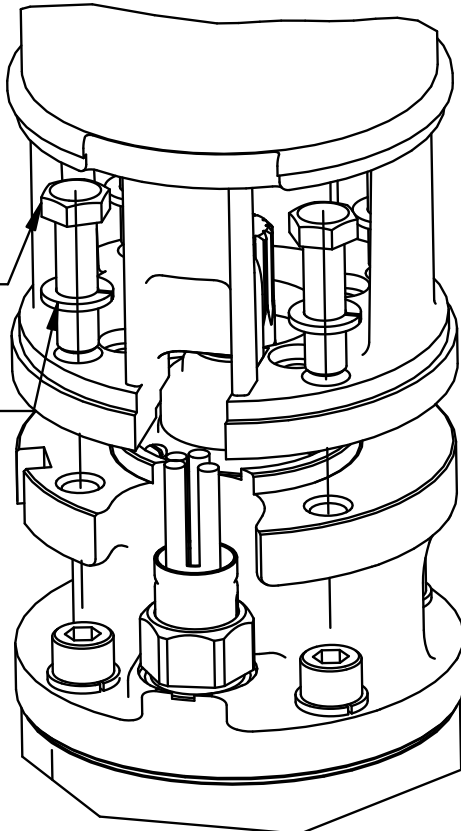


FOR ATTACHMENT OF PUMP TO 6" MOTOR

TOOLS NEEDED:
3/4 WRENCH

HEX SCREW - X4
1/2-20 UNC

LOCK WASHER - X4
1/2 SS



106179101 Rev. 0

FOR ATTACHMENT OF PUMP TO 4" MOTOR

TOOLS NEEDED:
1/2 WRENCH

HEX NUT - X4
5/16-24 UNC

LOCK WASHER - X4
5/16

WASHER - X4 5/16

S6 PLUG - X4
1/2 LDPE

ALSO PLACE SS MOTOR
COUPLING ADAPTER
IN LINE WITH SHAFTS

